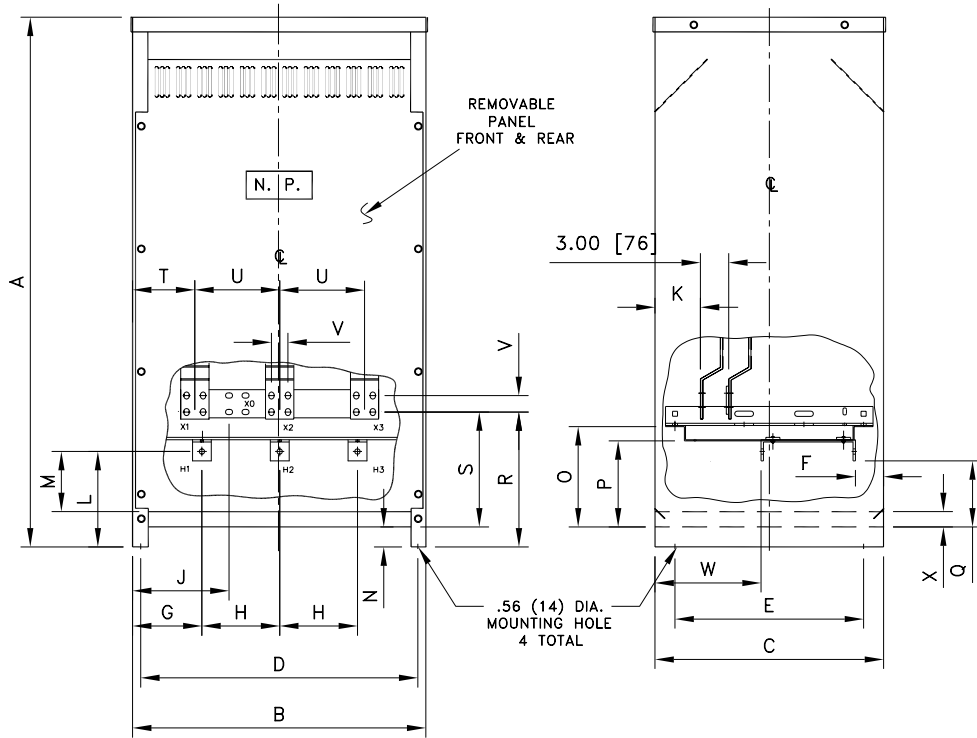


NOTES:

1. ALL UNITS ARE DESIGNED IN ACCORDANCE WITH APPLICABLE NEMA, UL, ANSI, AND IEEE STANDARDS.
2. DRY-TYPE VENTILATED, CLASS AA, NEMA TYPE 2 ENCLOSURE.
3. FOR NEMA 3R OUTDOOR APPLICATION, USE WEATHERSHIELD # WS-34.
4. TRANSFORMERS ARE FLOOR MOUNTED.
5. 220°C CLASS INSULATION SYSTEM.
6. PAINT COLOR IS ANSI #61.
7. ALUMINUM UNITS HAVE ALUMINUM WINDINGS AND TERMINATIONS. COPPER UNITS HAVE COPPER WINDINGS AND TERMINATIONS.



DIMENSIONS IN INCHES (MM)

FRAME	APPROX NET WT. LBS(KG)		A	B	C	D	E	F
	ALUMINUM	COPPER						
FR917	1100(499)	1200(545)	56.18(1427)	31.11(790)	24.24(616)	29.38(746)	20.00(508)	2.99(76)
			G	H	J	K	L	M
			7.35(187)	8.25(210)	10.23(260)	4.81(122)	10.12(257)	6.38(162)
			N	O	P	Q	R	S
			2.12(54)	10.63(270)	9.13(232)	7.00(178)	14.31(363)	12.19(310)
			T	U	V	W	X	
			6.60(168)	9.00(229)	1.75(44)	11.25(286)	1.62(41)	

THIS DIMENSION DRAWING IS FOR REFERENCE ONLY. IT IS NOT TO BE REGARDED AS INDICATING THE EXACT DETAILS OF CONSTRUCTION.

9/04

THE INFORMATION ON THIS DOCUMENT IS CREATED BY CUTLER-HAMMER. IT IS DISCLOSED IN CONFIDENCE AND IS ONLY TO BE USED FOR THE PURPOSE IN WHICH IT IS SUPPLIED.	DFTR	DATE	<h2 style="margin: 0;">Cutler-Hammer</h2> Juarez, Mexico	
	HEG	12/01/01	TITLE	DRY TYPE TRANSFORMER OUTLINE
	APPD	DATE	TYPE	TRANSFORMER
	EER	12/01/01		
	S.O.			
FEDERAL ID NO	PRODUCT CODE	REVISION	DWG SIZE	G.O.
	TRANSFORMER	05	A	
			DWG	SHEET
			FR917	01 OF 01