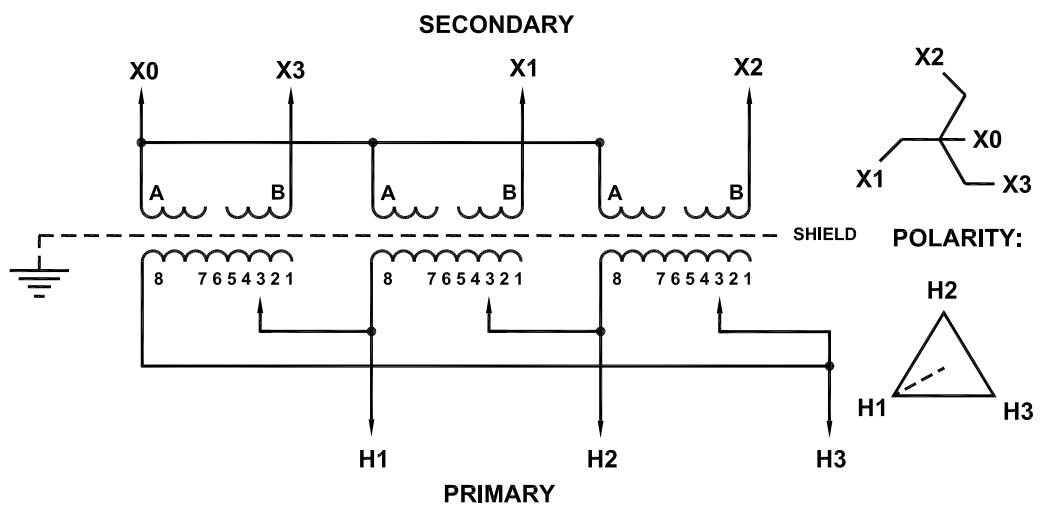


VOLTS	TAP
504	1
492	2
480	3
468	4
456	5
444	6
432	7



·	·	·	·	·
---	---	---	---	---

THE INFORMATION ON THIS DOCUMENT IS CREATED BY CUTLER-HAMMER. IT IS DISCLOSED IN CONFIDENCE AND IS ONLY TO BE USED FOR THE PURPOSE IN WHICH IT IS SUPPLIED.	DFTR	DATE	Cutler-Hammer Juarez, Mexico			
	A. CISNEROS	03/22/02				
	APPD	DATE				
G. LOPEZ	03/22/02	TITLE	TRANSFORMER WIRING DIAGRAM #200X			
S.O.		TYPE	DRY TYPE DISTRIBUTION TRANSFORMERS			
FEDERAL ID NO	PRODUCT CODE	REVISION	DWG SIZE	G.O.	DWG	SHEET
	TRANSFORMERS	02	A		200X	01 OF 01