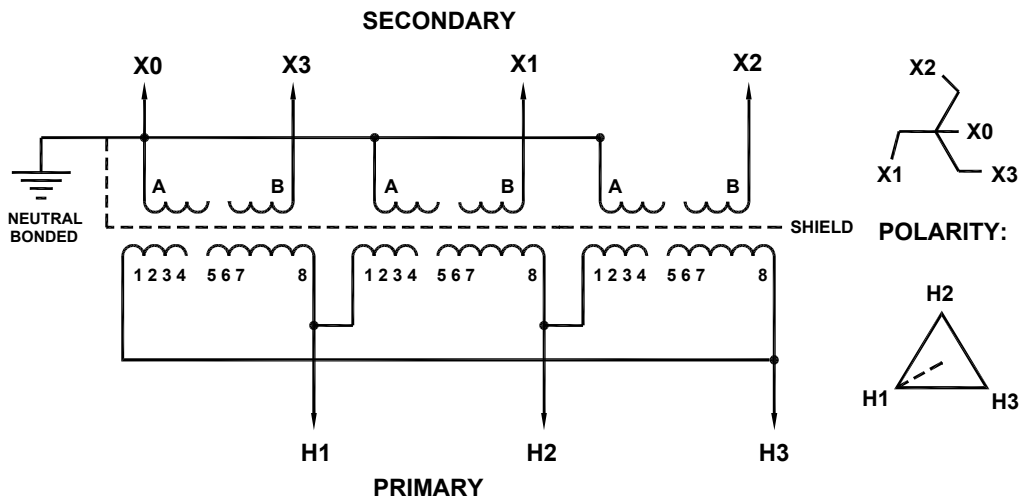


VOLTS	CONNECT
504	4 TO 5
492	4 TO 6
480	4 TO 7
468	3 TO 6
456	3 TO 7
444	2 TO 6
432	2 TO 7



.  
 .  
 .  
 .  
 .

THE INFORMATION ON THIS DOCUMENT IS CREATED BY CUTLER-HAMMER. IT IS DISCLOSED IN CONFIDENCE AND IS ONLY TO BE USED FOR THE PURPOSE IN WHICH IT IS SUPPLIED.

DFTR A. CISNEROS	DATE 03/22/02	<b>Cutler-Hammer</b> Juarez, Mexico	
APPD G. LOPEZ	DATE 03/22/02	TITLE TRANSFORMER WIRING DIAGRAM #201X	
S.O.		TYPE DRY TYPE DISTRIBUTION TRANSFORMERS	DRAWING TYPE WIRING
FEDERAL ID NO	PRODUCT CODE TRANSFORMERS	REVISION <b>01</b>	DWG SIZE <b>A</b>
		G.O.	DWG <b>201X</b>
			SHEET 01 OF 01