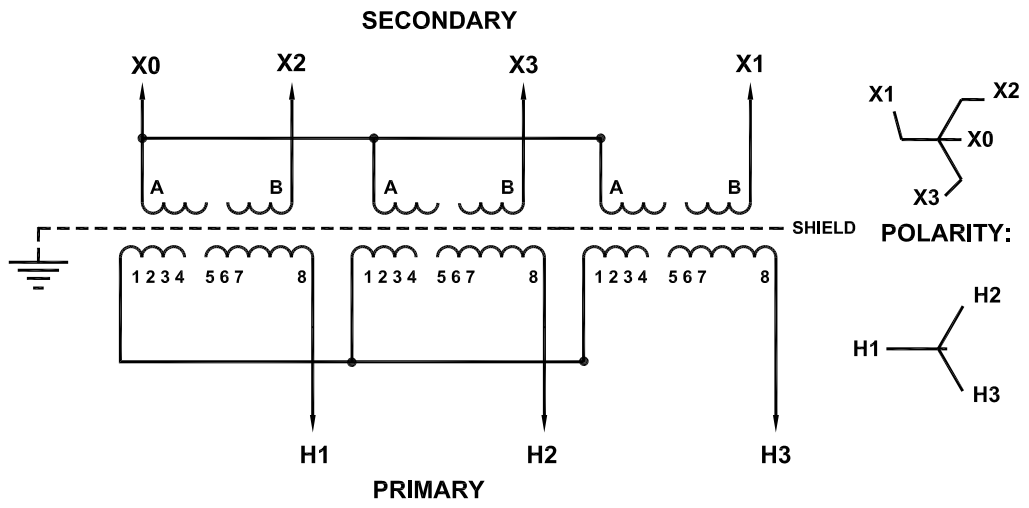


VOLTS	CONNECT
504	4 TO 5
492	4 TO 6
480	4 TO 7
468	3 TO 6
456	3 TO 7
444	2 TO 6
432	2 TO 7



.
 .
 .
 .
 .

THE INFORMATION ON THIS DOCUMENT IS CREATED BY CUTLER-HAMMER. IT IS DISCLOSED IN CONFIDENCE AND IS ONLY TO BE USED FOR THE PURPOSE IN WHICH IT IS SUPPLIED.

DFTR	DATE
A. CISNEROS	02/18/06
APPD	DATE
G. LOPEZ	02/18/06
S.O.	

Cutler-Hammer Juarez, Mexico

TITLE	TRANSFORMER WIRING DIAGRAM #203X
TYPE	DRY TYPE DISTRIBUTION TRANSFORMERS
DRAWING TYPE	WIRING